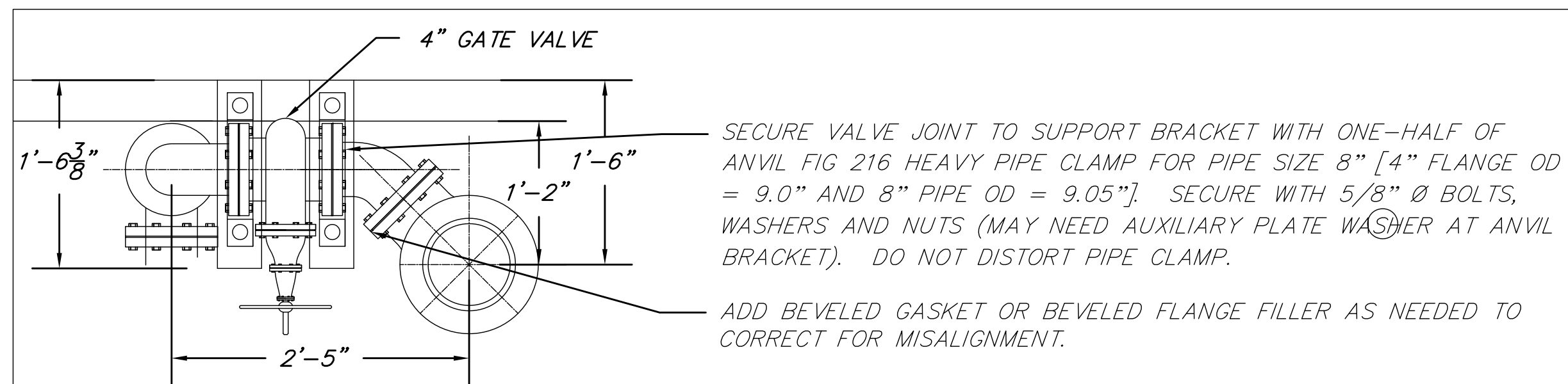


ALTERNATE LOCATION FOR 4" GATE VALVE



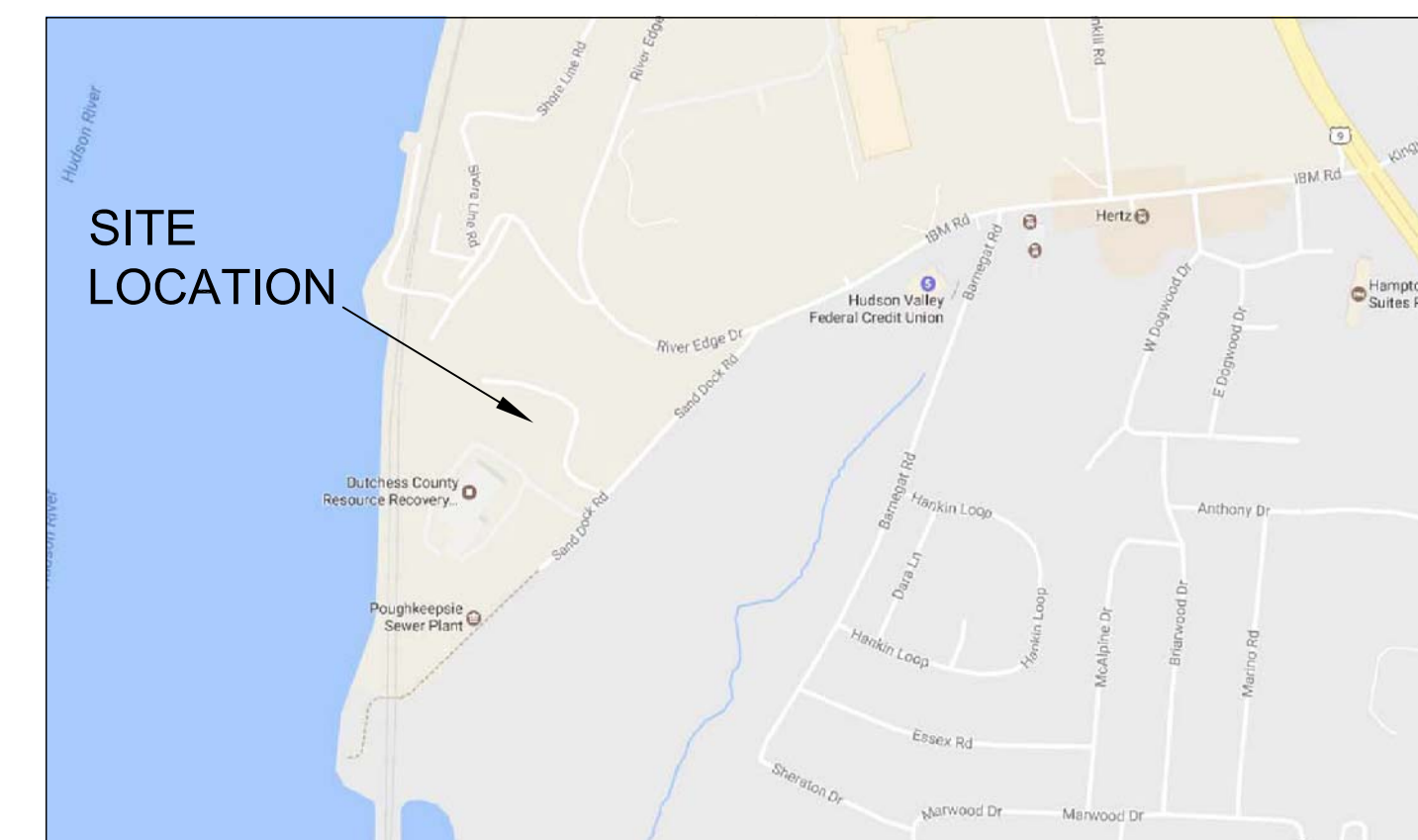
VIEW C-C
SCALE = NTS

N-M SECTION DESCRIPTION

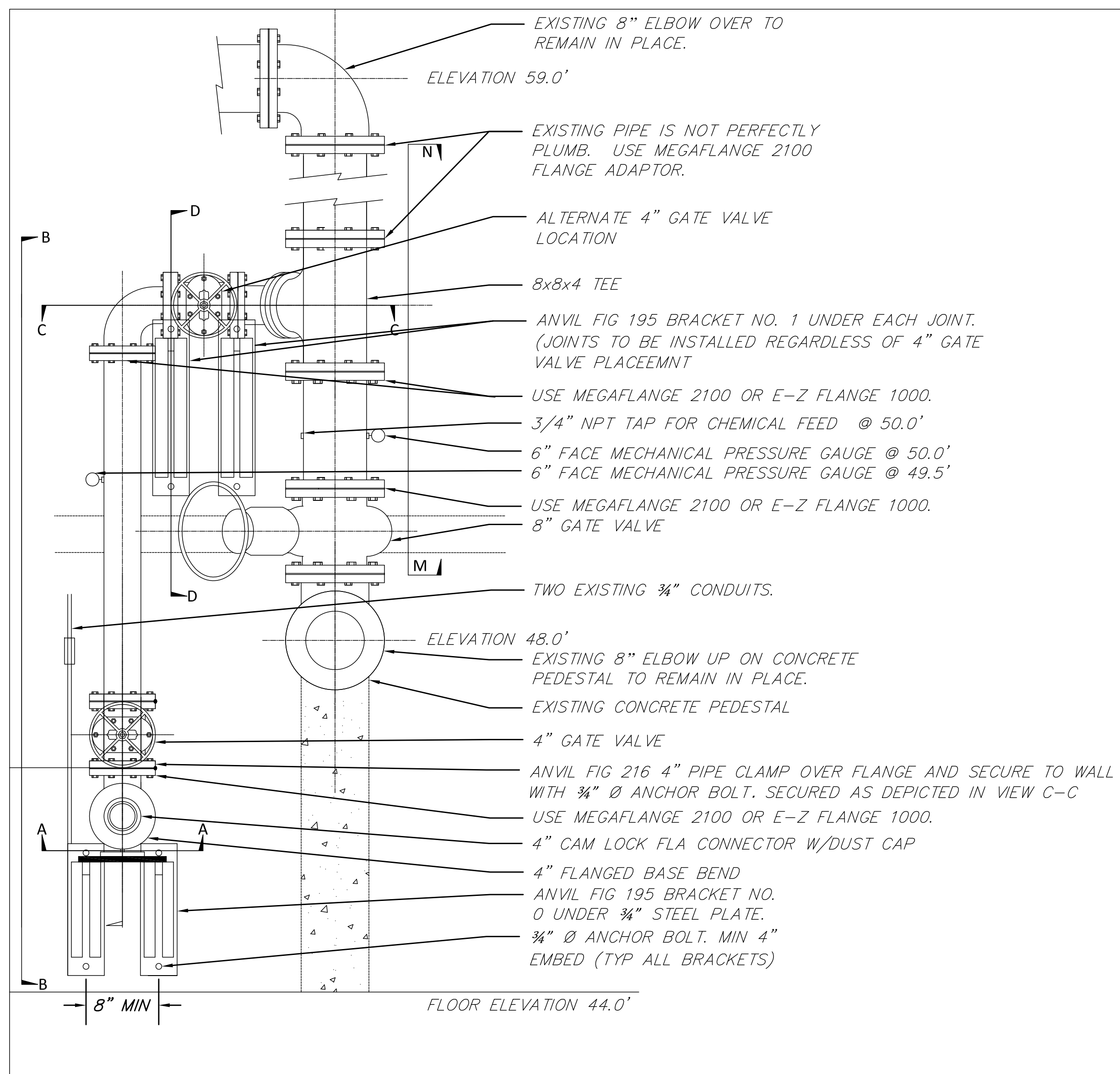
LIMITS OF PIPE REMOVAL AND NEW PREFABRICATED SECTION WITH VALVE AND TEE. SUBMIT A SHOP DRAWING FOR ACCEPTANCE SHOWING ALL DIMENSIONS AND ANY REVISIONS FROM THE PLAN DRAWING.

GENERAL NOTES

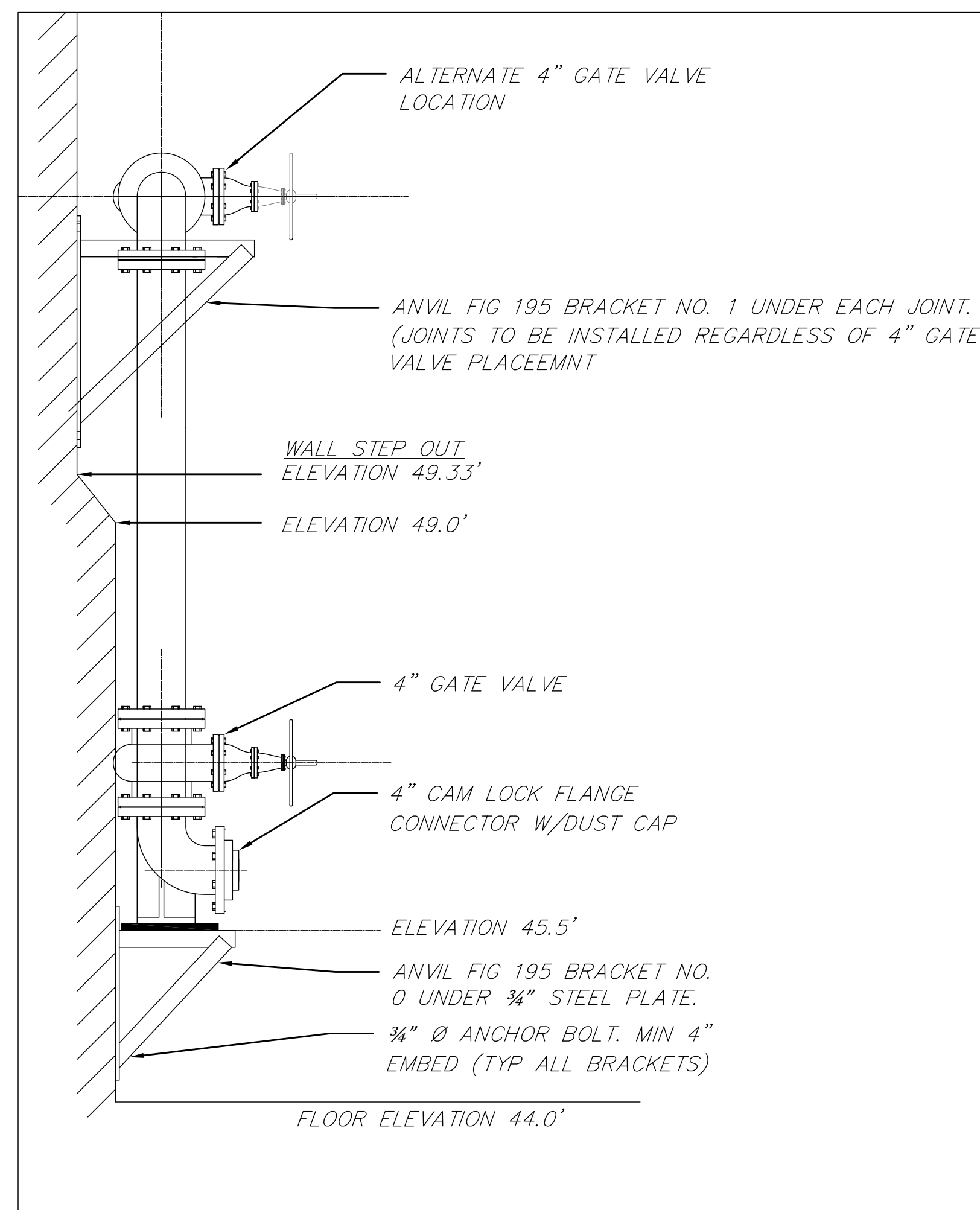
1. ALL NUTS, EXCEPT NUTS ON PIPE FITTINGS AND FLANGES, SHALL BE SECURED WITH A SPLIT RING WASHER AND RED THREADLOCKER COMPOUND.
2. WHEN BOLTING TO AN EXISTING CAST IRON FLANGE USE ONLY ASTM A307 BOLTS AND USE EXTREME CAUTION NOT TO CRACK THE CAST IRON FLANGE.
3. ALL DRAWINGS ARE APPROXIMATE AND MEASUREMENTS ARE TO BE FIELD VERIFIED.
4. THE INSTALLATION OF ALL CONSTRUCTION SHOWN ON THIS SHEET MUST BE COMPLETED WITHIN THE 4 HOUR WINDOW ALLOWED BY THE PLANT OPERATOR FOR SHUTDOWN OF THE EFFLUENT WATER SYSTEM. PREASSEMBLY, PREFABRICATION AND CONSTRUCTION SEQUENCE SHALL ALL BE SHOWN ON A SHOP DRAWING ALONG WITH THE ESTIMATED TIME FOR COMPLETION FROM THE TIME THAT THE EFFLUENT WATER PUMP IS TURNED OFF UNTIL WATER IS PUMPED INTO THE 4" BYPASS FEED LINE. THE DRAWING SHALL ALSO ADDRESS THE AUXILIARY WATER FEED DIRECT FROM THE CHLORINATION BASIN TO THE 4" BYPASS FEED AND THAT THE AUXILIARY WATER FEED MUST BE IN PLACE AND OPERATIONAL BEFORE THE EFFLUENT WATER PUMP IS SHUT OFF.



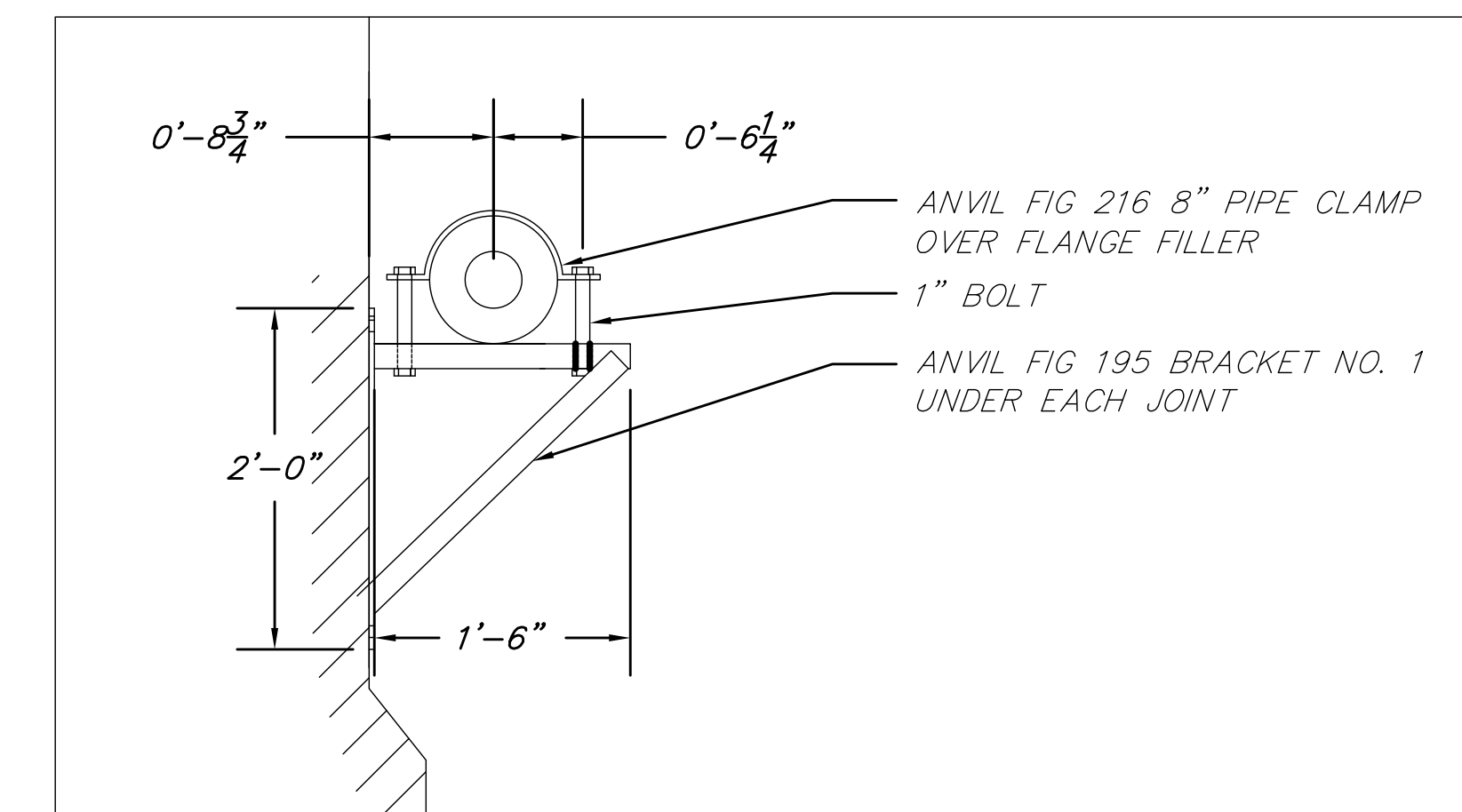
LOCATION MAP
SHEET SCALE NTS



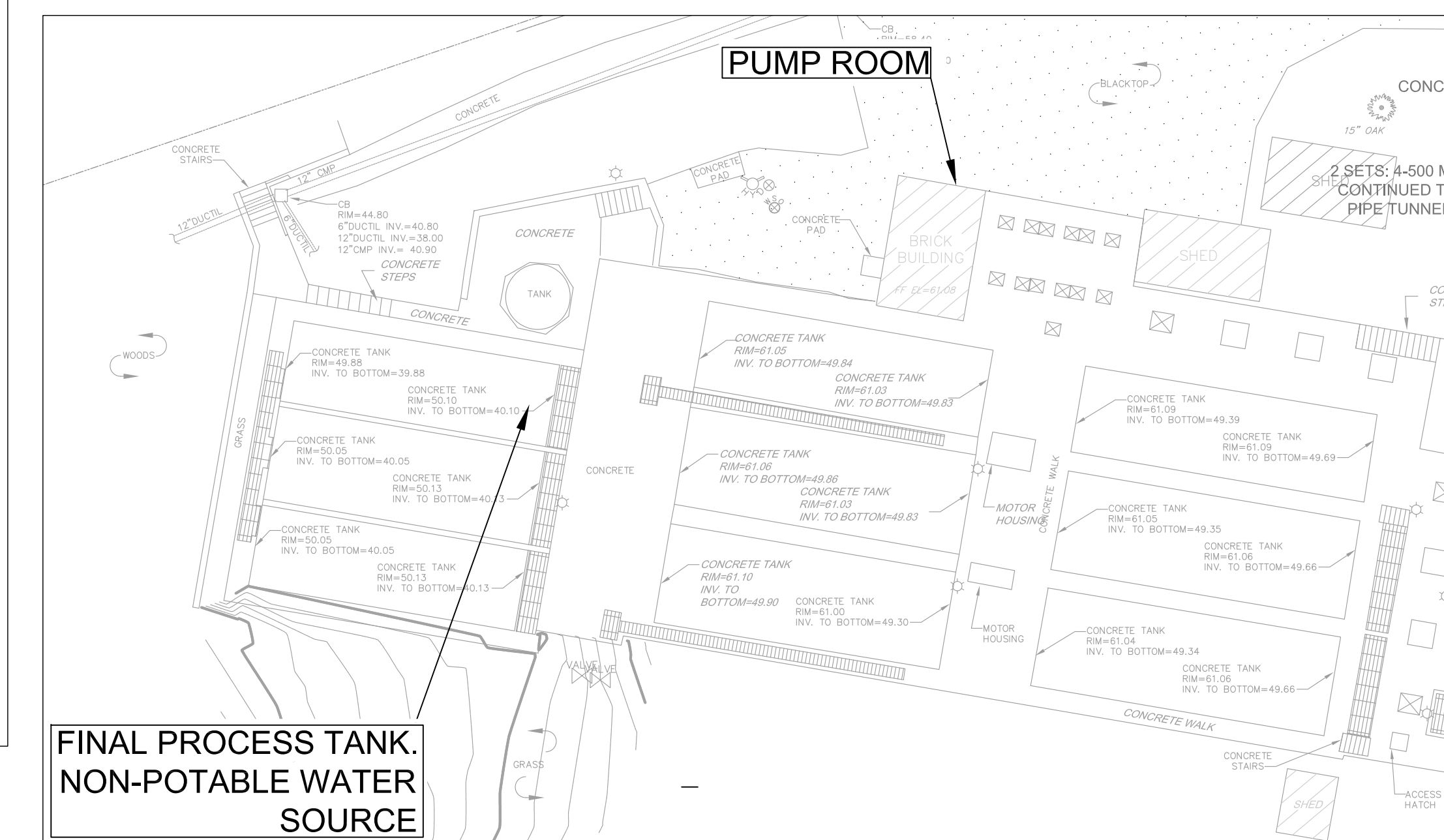
PROFILE
SCALE = NTS



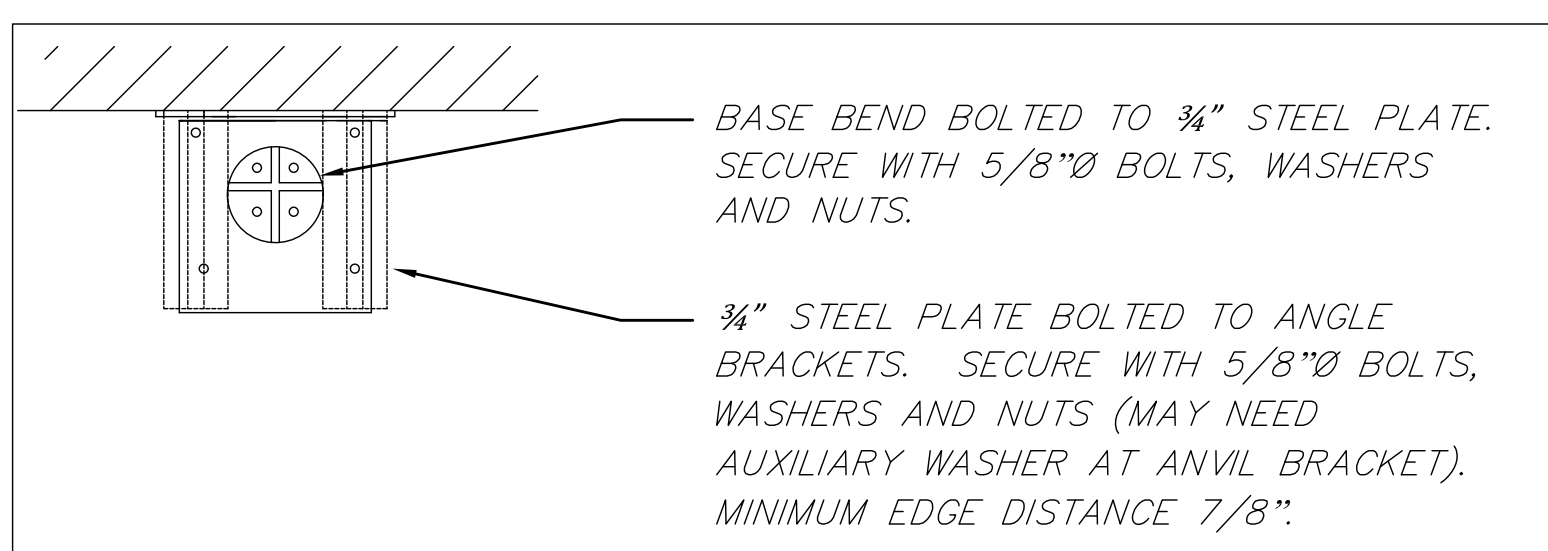
VIEW B-B
SCALE = NTS



VIEW D-D
SCALE = NTS



SITE CONFIGURATION
SCALE = 1:200



VIEW A-A
SCALE = NTS

TOWN OF POUGHKEEPSIE ENGINEERING DEPARTMENT				REV. No.	DESCRIPTION	DATE	BY
				ARLINGTON WWTP EFFLUENT WATER PUMP UPGRADE 78 SAND DOCK RD POUGHKEEPSIE, NY			
DATE 7-16-2018	SCALE NTS	DESIGNED BY: PEH DRAWN BY: SFC	CONTRACT No. 2018-4	DISCHARGE PIPE RECONFIGURATION			
							DWG 1 of 3