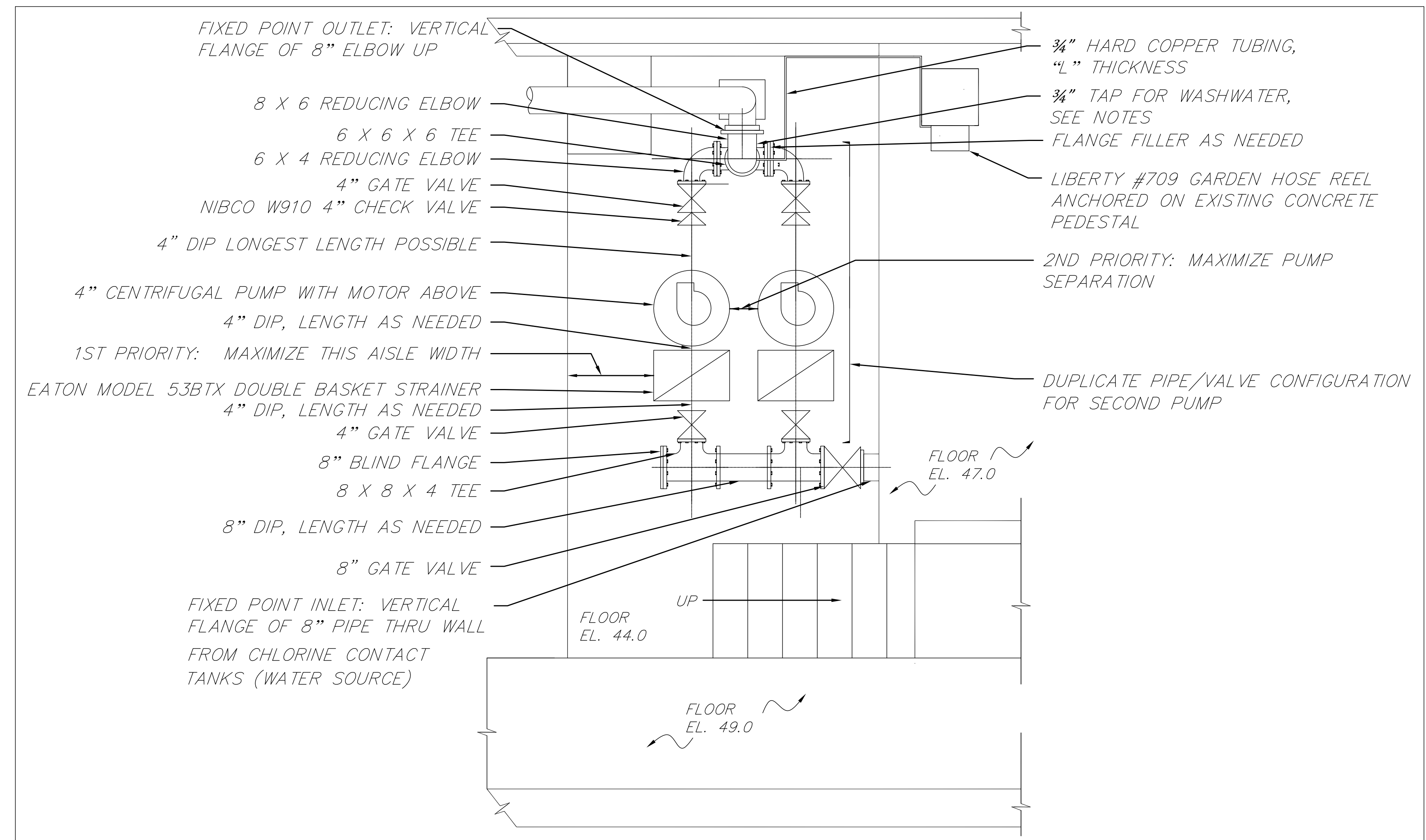


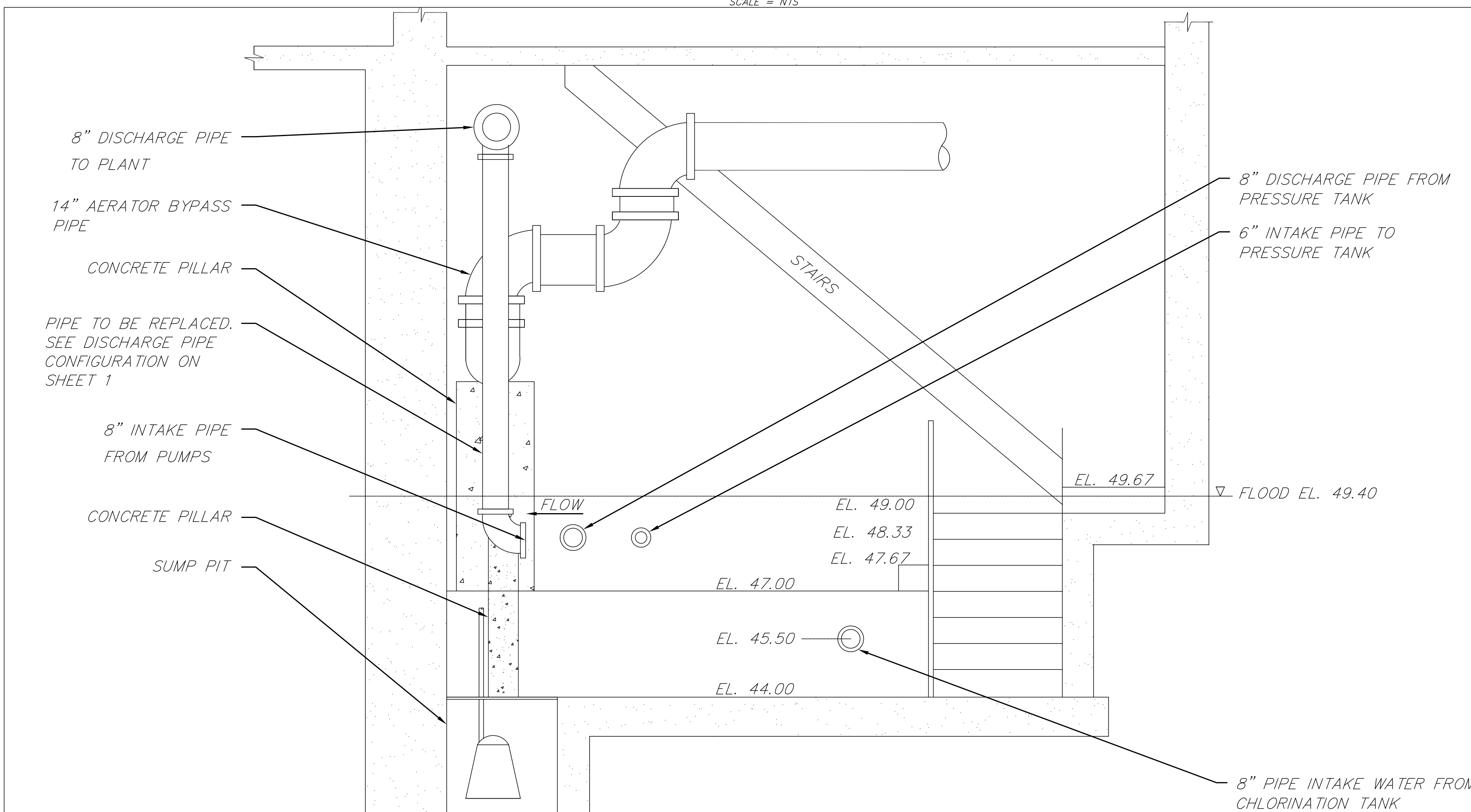
PLAN VIEW OF PUMP SPACE

SCALE = NTS



PROPOSED PUMP LAYOUT

SCALE = NTS



PROFILE VIEW OF PUMP SPACE

SCALE = NTS

GENERAL NOTES FOR SUPPORTING PIPES, FITTINGS AND EQUIPMENT

- 1 THE CONTRACTOR SHALL PROVIDE SUPPORTS FOR THE REDUCING TEES WITH NON-SHRINK GROUT PADS THAT CRADLE THE BODY FOR MINIMUM 1/3 OF THE TEE HEIGHT, OR WITH COMMERCIAL SUPPORTS SPACED AS RECOMMENDED. THE TEES MAY BE USED TO SUPPORT PIPE FITTINGS OR VALVES.
- 2 THE CONTRACTOR SHALL PROVIDE A SOLID SUPPORT FOR THE 6X6X6 TEE BENEATH THE VERTICAL 6" DIP AND 6X8 ELBOW TO SUPPORT THE EXTRA WEIGHT OF THE VERTICALLY CONNECTED COMPONENTS AND THE WEIGHT OF THE WATER COLUMN.
- 3 THE CONTRACTOR SHALL PROVIDE SUPPORTS FOR THE PIPES, VALVES AND ELBOWS INDEPENDENT OF THE PUMPS.
- 4 THE CONTRACTOR SHALL PROVIDE AN INDEPENDENT SUPPORT FOR EACH STRAINER WITH A NON-SHRINK GROUT PAD, ALLOWING SPACE FOR THE BOTTOM DRAIN TO FUNCTION.
- 5 THE CONTRACTOR SHALL PROVIDE AN INDEPENDENT SUPPORT FOR EACH PUMP BASE WITH A NON-SHRINK GROUT PAD, ALLOWING SPACE FOR THE BOTTOM DRAIN TO FUNCTION. THE PUMP SHALL SUPPORT NO PIPE OR FITTING OR EQUIPMENT.
- 6 THE CONTRACTOR SHALL ARRANGE THE PIPE AND EQUIPMENT SUPPORTS WITH OPENINGS AS REQUIRED SUCH THAT WATER WITHIN THE EQUIPMENT LOOP CAN DRAIN TO THE SUMP PUMP PIT.

WASHWATER TO HOSE REEL

1. THE CONTRACTOR SHALL CONSTRUCT A WASHWATER TAP ON THE SIDE OF THE VERTICAL 6" DIP AS SHOWN, AND A 3/4" BALL VALVE AND 3/4" PIPE UNION FOR A 3/4" HARD COPPER TUBING SERVICE TO THE HOSE REEL.
2. THE HARD COPPER TUBING WATER SERVICE SHALL BE RUN TO THE PEDESTAL AND SUPPORTED ON THE PEDESTAL, THEN ALONG THE WALLS AND SUPPORTED ON THE WALLS, AND TERMINATED AT THE ADJACENT UPPER FLOOR LEVEL WITH A BALL VALVE AND A GARDEN HOSE ADAPTOR CLOSE TO THE FLOOR.
3. THE WASHWATER SERVICE PIPE SHALL BE HARD COPPER TUBING, TYPE "L" THICKNESS.
4. THE PIPE SUPPORTS SHALL BE COPPER BELL HANGERS, AND FASTENED TO THE CONCRETE SURFACES WITH CONCRETE SCREWS, OR EQUAL.

|   |              |   |                        |      |    |
|---|--------------|---|------------------------|------|----|
| TOWN OF POUGHKEEPSIE<br>ENGINEERING DEPARTMENT            |              | REV. No.  | DESCRIPTION            | DATE | BY |
|   |              | <b>ARLINGTON WWTP<br/>EFFLUENT WATER PUMP UPGRADE</b><br>78 SAND DOCK RD POUGHKEEPSIE, NY |                        |      |    |
| DATE<br>7-16-2018   | SCALE<br>NTS | DESIGNED BY: PEH<br>DRAWN BY: SFC   | CONTRACT No.<br>2018-4 |      |    |
| PUMP ROOM EXISTING CONDITIONS<br>AND PROPOSED PUMP LAYOUT |              |   | DWG 2 of 3             |      |    |